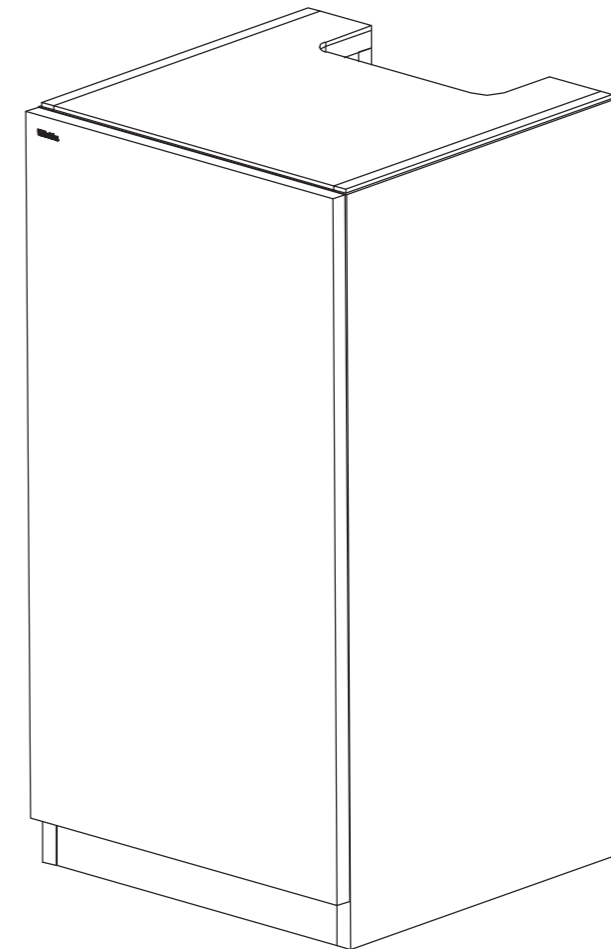


L		x2
M		x30
N		x32
O	ST3.9 x16	x12
P		x30
R		x1
S		x1
T	ST3.5 x14	x2
Y		x18

# Red Sea REEFER™

## NANO/170

- EN** Cabinet Installation Guide
- FR** Guide d'installation du meuble
- DE** Kabinett Installationsanleitung



#5346 REEFER NANO/170\_v14A

Europe  
Red Sea Europe  
ZA de la St-Denis  
F-27130 Verneuil s/Avre,  
France  
Tel: (33) 2 32 37 71 37  
info@redseaeurope.com

UK & Ireland  
Red Sea Aquatics (UK) Ltd  
PO Box 1237  
Cheddar, BS279AG  
Tel: +44 (0) 203 3711437  
Fax: +44 (0) 800 0073169  
uk.info@redseafish.com

U.S.A  
Red Sea U.S.A  
18125 Ammi Trail  
Houston, TX 77060  
Tel: +1-888-RED-SEA9  
redseainfo@redseafish.com

Germany & Austria  
Red Sea Deutschland  
Prinzenallee 7 (Prinzenpark)  
40549 Düsseldorf  
Tel: 0211-52391 481  
de.info@redseafish.com

Red Sea Aquatics (GZ) Ltd  
Block A3, No.33 Hongmian Road,  
Xinhua Industrial Park,  
Huadu District, Guangzhou City,  
China, Postal code 510800  
Tel: +86-020-6625 3828

**Red Sea**  
www.redseafish.com

**Red Sea**

